



# 61000



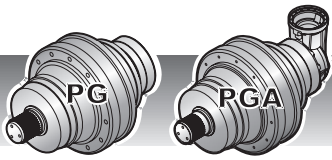
	i	Mc [kNm]				n <sub>1max</sub> [min <sup>-1</sup> ]	Pt [kW]	Kg				
		n <sub>2</sub> x h	n <sub>2</sub> x h	n <sub>2</sub> x h	n <sub>2</sub> x h			M	P	CPC	F	FS
		10.000	20.000	50.000	100.000							
<b>PG 61001</b>	3.84	953.0	858.1	747.1	692.6	100	324	-	-	-	3200	3257
<b>PG 61002</b>	14.13	715.0	609.9	463.3	376.3	200	185	-	-	-	3710	3767
	18.97	514.7	463.5	403.5	363.4							
<b>PG 61003</b>	54.07	653.2	578.1	463.3	376.3	1200	129	-	-	-	3982	4039
	72.58	514.7	463.5	403.5	363.4							
<b>PG 61004</b>	216.27	653.2	578.1	463.3	376.3	2000	98	-	-	-	4041	4098
	281.15	653.2	578.1	463.3	376.3							
	290.32	514.7	463.5	403.5	363.4							
	337.92	506.8	448.6	381.8	337.8							
	377.41	514.7	463.5	403.5	363.4							
	453.62	514.7	463.5	403.5	363.4							
<b>PG 61005</b>	792.99	590.0	522.3	444.1	376.3	2800	81	-	-	-	4062	4119
	957.76	538.6	476.9	405.5	359.3							
	1030.88	653.2	578.1	463.3	376.3							
	1245.09	653.2	578.1	463.3	376.3							
	1405.75	587.4	520.0	442.4	376.3							
	1663.28	514.7	463.5	403.5	363.4							
	1887.06	514.7	463.5	403.5	363.4							
	1959.94	506.8	448.6	381.8	337.8							
	2631.00	514.7	463.5	403.5	363.4							
	3175.35	514.7	463.5	403.5	363.4							



	i	Mc [kNm]				n <sub>1max</sub> [min <sup>-1</sup> ]	Pt [kW]	Kg				
		n <sub>2</sub> x h	n <sub>2</sub> x h	n <sub>2</sub> x h	n <sub>2</sub> x h			M	P	CPC	F	FS
		10.000	20.000	50.000	100.000							
<b>PGA 61005</b>	<b>863.53</b>	541.2	439.7	334.1	271.5	2500	75	-	-	-	4163	4220
	<b>1037.90</b>	506.8	448.6	380.0	308.8							
	<b>1159.20</b>	514.7	463.5	403.5	333.6							
	<b>1312.03</b>	493.9	401.0	304.5	247.2							
	<b>1393.26</b>	514.7	463.5	403.5	363.4							
	<b>1576.96</b>	506.8	448.6	346.3	281.1							
	<b>1761.26</b>	514.7	463.5	374.1	303.8							
	<b>2116.90</b>	514.7	463.5	403.5	345.5							

(n<sub>2</sub> x h = 20.000)

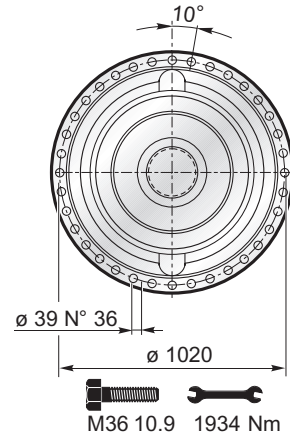
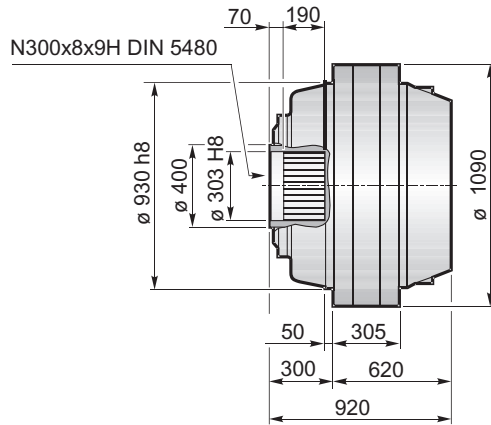
$$M_{\max} = M_c \times 1.5$$



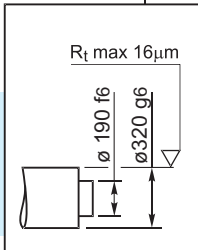
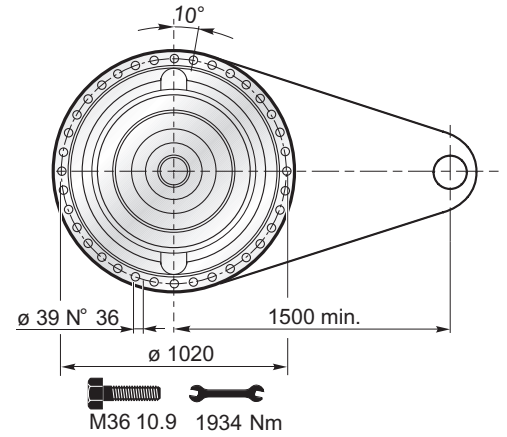
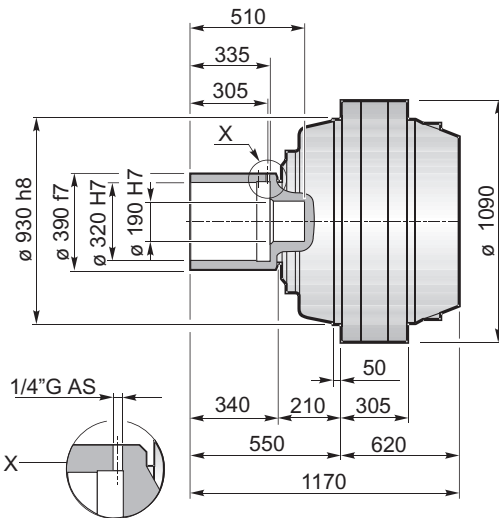
# 61000

IT EN DE FR ES PT

**F**



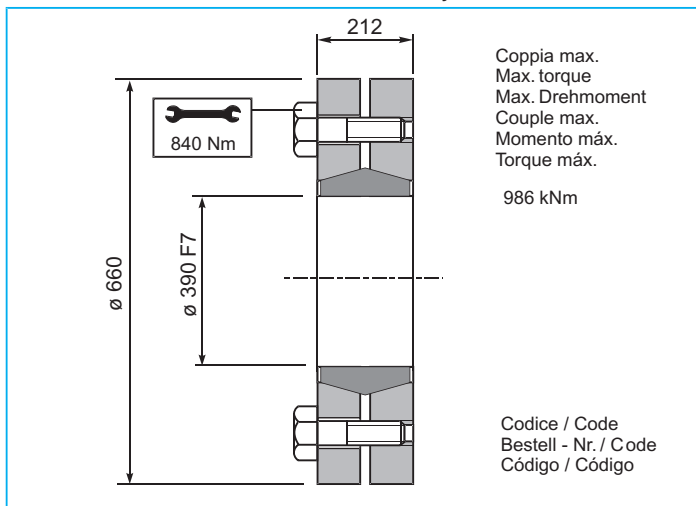
**FS**



$M_{max} = 986 \text{ kNm}$

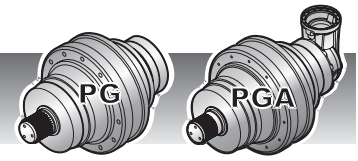
La coppia massima indicata è valida solo con calettatori forniti da Planetary Drives  
 The maximum torque indicated is valid only with shrink discs supplied by Planetary Drives  
 Das dargestellte, maximale Drehmoment gilt nur mit von Planetary Drives gelieferter Schrumpfscheibe  
 Le couple maximal indiqué n'est valable qu'avec les frettes de serrage fournis par Planetary Drives  
 El momento máximo indicado sólo es válido con discos de contracción suministrados por Planetary Drives  
 O torque máximo indicado é válido exclusivamente com discos de contração fornecidos pela Planetary Drives


**GA** Giunto di attrito / Shrink disc  
 Schrumpfscheibe / Frette de serrage  
 Disco de contração / Disco de contração

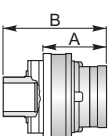


Coppia max.  
 Max. torque  
 Max. Drehmoment  
 Couple max.  
 Momento máx.  
 Torque máx.  
 986 kNm

Codice / Code  
 Bestell - Nr. / C code  
 Código / Código

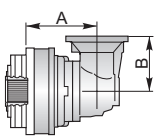


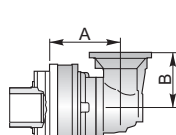
	PG ...F						
	A	B	RA	RB	EF	EDF	
PG61001	620	920					
PG61002	903.5	1203.5					
PG61003	1124.5	1424.5					
PG61004	1231.5	1531.5		•			
PG61005	1303	1603	•	o	•		

	PG ...FS						
	A	B	RA	RB	EF	EDF	
PG61001	620	1170					
PG61002	903.5	1453.5					
PG61003	1124.5	1674.5					
PG61004	1231.5	1781.5		•			
PG61005	1303	1853	•	o	•		



A	B	•
A+13.5	B+13.5	o

	PGA ...F					
	A	B	RA	RB	EF	
PGA61005	1366.5	315	•	o	•	

	PGA ...FS					
	A	B	RA	RB	EF	
PGA61005	1366.5	315	•	o	•	



B	•
B+16.5	o

