



53000



	i	Mc [kNm]				n _{1max} [min ⁻¹]	Pt [kW]	Kg				
		n ₂ x h	n ₂ x h	n ₂ x h	n ₂ x h			M	P	CPC	F	FS
		10.000	20.000	50.000	100.000							
PG 53001	3.84	807.6	727.2	633.1	571.3	100	324	-	-	-	3200	3257
	5.44	458.3	412.7	359.3	338.1							
PG 53002	14.13	715.0	609.9	463.3	376.3	200	185	-	-	-	3710	3767
	18.97	514.7	463.5	403.5	363.4							
	26.87	458.3	412.7	359.3	338.1							
PG 53003	55.88	573.0	507.2	431.6	376.3	1200	125	-	-	-	3905	3962
	75.02	514.7	463.5	403.5	363.4							
	96.03	514.7	463.5	402.6	356.4							
	106.27	458.3	412.7	359.3	338.1							
	136.05	458.3	412.7	359.3	338.1							
	161.24	458.3	412.7	359.3	338.1							
PG 53004	198.69	511.1	452.4	384.8	340.6	2000	92	-	-	-	3964	4021
	239.50	445.3	394.1	335.4	297.0							
	266.72	514.7	463.5	403.5	363.4							
	321.50	514.7	463.5	403.5	363.4							
	411.57	514.7	463.5	402.6	356.4							
	455.46	458.3	412.7	359.3	338.1							
	537.79	514.7	463.5	400.8	354.9							
	595.13	458.3	412.7	359.3	338.1							
	691.04	458.3	412.7	359.3	338.1							
	761.87	458.3	412.7	359.3	338.1							
	902.95	458.3	412.7	359.3	338.1							
	1088.38	458.3	412.7	359.3	338.1							
	PG 53005	1214.55	514.7	463.5	403.5							
1326.18		514.7	463.5	403.5	362.3							
1408.49		514.7	463.5	402.6	356.4							
1486.43		458.3	412.7	359.3	338.1							
1554.83		514.7	463.5	402.6	356.4							
1640.86		458.3	412.7	359.3	338.1							
1752.98		458.3	411.1	349.6	309.7							
1861.79		458.3	412.7	359.3	325.4							
1952.27		458.3	412.7	359.3	338.1							
2031.64		514.7	463.5	400.8	354.9							
2126.46		514.7	463.5	402.6	356.4							
2218.38		514.7	463.5	400.8	354.9							
2364.88		458.3	412.7	359.3	338.1							
2499.24		458.3	412.7	359.3	338.1							
2660.01		453.9	401.7	341.8	302.7							
2778.57		514.7	463.5	400.8	354.9							
2878.16		458.3	412.7	359.3	338.1							
3226.73		514.7	463.5	400.8	354.9							
4489.57		458.3	412.7	359.3	338.1							
5010.01		458.3	412.7	359.3	338.1							
6546.41		458.3	412.7	359.3	338.1							
7890.76	458.3	412.7	359.3	338.1								

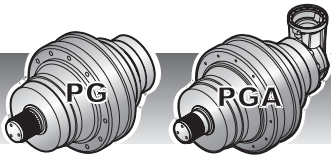


	i	Mc [kNm]				n _{1max} [min ⁻¹]	Pt [kW]	Kg				
		n ₂ x h	n ₂ x h	n ₂ x h	n ₂ x h			M	P	CPC	F	FS
		10.000	20.000	50.000	100.000							
PGA 53005	819.22	514.7	423.8	322.0	261.6	2500	73	-	-	-	4086	4143
	864.55	458.3	412.7	334.4	271.7							
	987.46	514.7	463.5	367.0	298.2							
	1160.57	458.3	412.7	359.3	333.9							
	1244.71	476.1	386.5	293.4	238.2							
	1334.06	458.3	412.7	359.3	338.1							
	1398.90	458.3	412.7	359.3	338.1							
	1500.32	514.7	440.5	334.4	271.5							
	1593.45	514.7	459.5	348.8	283.2							
	1743.17	458.3	412.7	359.3	338.1							
	1827.89	458.3	412.7	359.3	338.1							
	1920.67	514.7	463.5	397.5	322.7							
	2125.46	458.3	412.7	359.3	338.1							
	2340.02	458.3	412.7	359.3	338.1							
	2509.68	514.7	463.5	400.8	354.9							
	2820.56	458.3	412.7	359.3	338.1							
	3224.83	458.3	412.7	359.3	338.1							
	4213.78	458.3	412.7	359.3	338.1							
5079.11	458.3	412.7	359.3	338.1								

(n₂ x h = 20.000)

$$M_{\max} = M_c \times 1.6$$

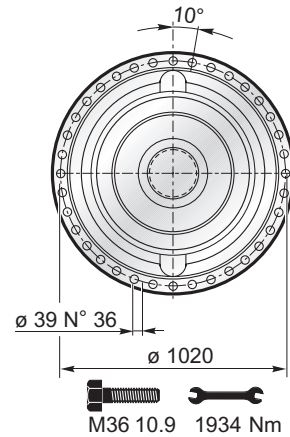
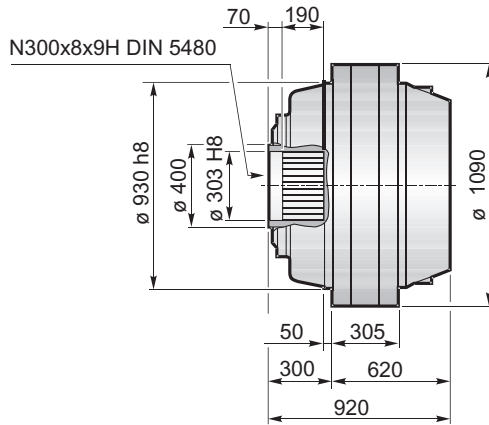




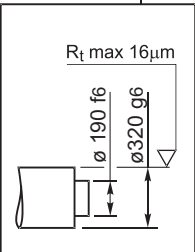
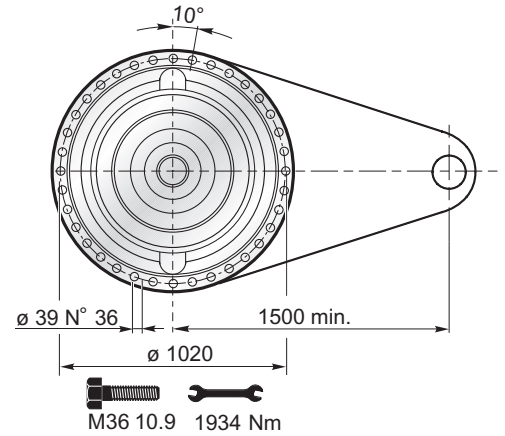
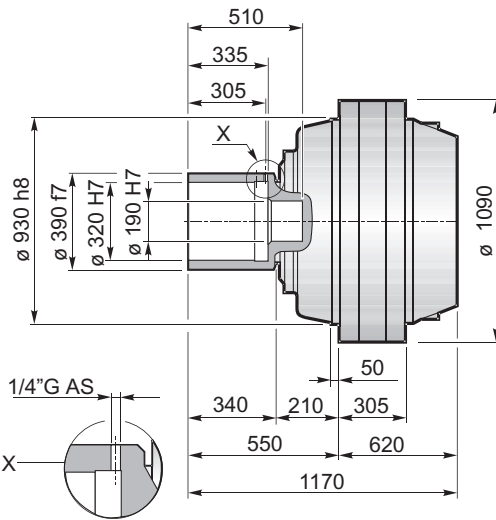
53000

IT EN DE FR ES PT

F



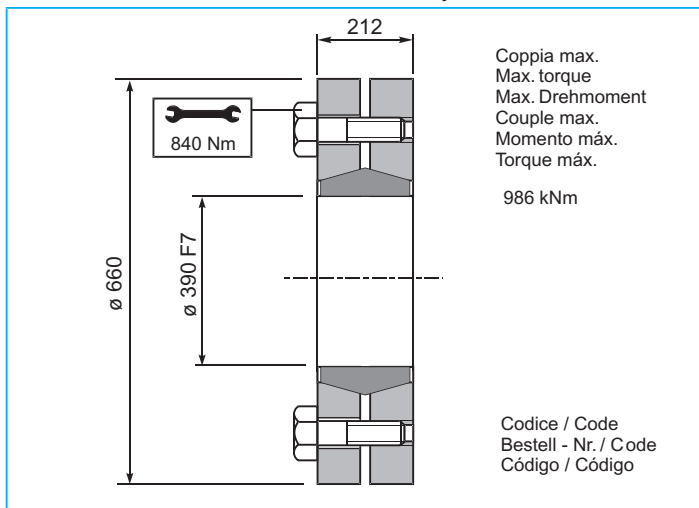
FS



$M_{max} = 986 \text{ kNm}$

La coppia massima indicata è valida solo con calettatori forniti da Planetary Drives
 The maximum torque indicated is valid only with shrink discs supplied by Planetary Drives
 Das dargestellte, maximale Drehmoment gilt nur mit von Planetary Drives gelieferter Schrumpfscheibe
 Le couple maximal indiqué n'est valable qu'avec les frettes de serrage fournis par Planetary Drives
 El momento máximo indicado sólo es válido con discos de contracción suministrados por Planetary Drives
 O torque máximo indicado é válido exclusivamente com discos de contração fornecidos pela Planetary Drives

GA Giunto di attrito / Shrink disc
 Schrumpfscheibe / Frette de serrage
 Disco de contração / Disco de contração



Coppia max.
 Max. torque
 Max. Drehmoment
 Couple max.
 Momento máx.
 Torque máx.
 986 kNm

Codice / Code
 Bestell - Nr. / C code
 Código / Código

