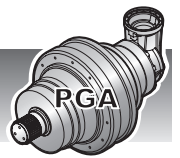




# 3500

	i	Mc [kNm]				n <sub>1max</sub> [min <sup>-1</sup> ]	Pt [kW]	Kg				
		n <sub>2</sub> x h	n <sub>2</sub> x h	n <sub>2</sub> x h	n <sub>2</sub> x h			M	P	CPC	F	FS
		10.000	20.000	50.000	100.000							
<b>PG 3501</b>	4.00	42.37	37.50	31.91	28.25	1500	54	193	-	254	157	165
	4.71	36.11	31.96	27.20	24.07							
<b>PG 3502</b>	14.22	41.95	37.11	31.58	27.96	2000	34	243	-	304	207	215
	17.14	36.05	31.92	27.17	24.04							
	20.17	36.11	31.96	27.20	24.07							
	26.35	32.04	28.36	24.12	21.37							
	31.76	24.46	21.65	18.42	16.30							
<b>PG 3503</b>	53.73	41.95	37.11	31.58	27.96	2800	23	259	-	320	223	231
	58.67	41.95	37.11	31.58	27.96							
	64.76	36.05	31.92	27.17	24.04							
	70.71	36.05	31.92	27.17	24.04							
	83.19	36.11	31.96	27.20	24.07							
	88.57	36.05	31.92	27.17	24.04							
	102.86	36.05	31.92	27.17	24.04							
	121.01	36.11	31.96	27.20	24.07							
	136.16	32.04	28.36	24.12	21.37							
	158.12	32.04	28.36	24.12	21.37							
	162.40	28.02	24.80	21.09	18.69							
	191.06	32.04	28.36	24.12	21.37							
	230.29	24.46	21.65	18.42	16.30							
<b>PG 3504</b>	191.03	41.95	37.11	31.58	27.96	2800	17	267	-	328	231	239
	208.59	41.95	37.11	31.58	27.96							
	230.26	41.95	37.11	31.58	27.96							
	251.43	41.95	37.11	31.58	27.96							
	277.55	36.05	31.92	27.17	24.04							
	303.06	36.05	31.92	27.17	24.04							
	328.53	35.81	31.63	26.92	23.79							
	362.67	36.05	31.92	27.17	24.04							
	379.59	36.05	31.92	27.17	24.04							
	440.82	36.05	31.92	27.17	24.04							
	496.00	35.56	31.47	26.75	23.60							
	576.00	36.05	31.92	27.17	24.04							
	626.65	33.02	29.21	24.85	22.05							
	694.29	36.05	31.92	27.17	24.04							
	762.48	32.04	28.36	24.12	21.37							
	816.81	36.11	31.96	27.20	24.07							
	986.97	33.02	29.21	24.85	22.05							
	1067.29	32.04	28.36	24.12	21.37							
1289.65	32.04	28.36	24.12	21.37								

I rapporti contrassegnati possono essere forniti solo in versione **M**; per ulteriori informazioni contattare il servizio tecnico COMER.  
 Ratios marked can only be supplied in version **M**; for more information please contact COMER technical service.

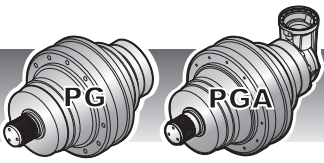


	i	Mc [kNm]				n <sub>1max</sub> [min <sup>-1</sup> ]	Pt [kW]	Kg				
		n <sub>2</sub> x h	n <sub>2</sub> x h	n <sub>2</sub> x h	n <sub>2</sub> x h			M	P	CPC	F	FS
		10.000	20.000	50.000	100.000							
<b>PGA 3502</b>	12.29	27.63	24.55	18.65	15.16	2000	34	285	-	346	248	256
	14.45	32.10	27.51	20.90	16.98							
	18.67	17.69	16.65	15.36	13.80							
	21.96	20.52	19.31	17.82	15.46							
<b>PGA 3503</b>	43.68	41.95	37.11	31.58	27.96	2800	23	342	-	403	305	313
	52.65	36.05	31.92	27.17	24.04							
	66.37	41.95	37.11	31.58	27.96							
	80.00	36.05	31.92	27.17	24.04							
	94.12	36.11	31.96	27.20	24.07							
	122.98	32.04	28.36	24.12	21.37							
<b>PGA 3504</b>	185.61	41.95	37.11	31.58	27.96	2'800	17	299	-	360	263	271
	202.67	41.95	37.11	31.58	27.96							
	223.72	36.05	31.92	27.17	24.04							
	244.29	36.05	31.92	27.17	24.04							
	298.64	36.11	31.96	27.20	24.07							
	319.41	34.61	32.28	29.44	27.46							
	352.59	36.05	31.92	27.17	24.04							
	385.00	36.05	31.92	27.17	24.04							
	414.81	36.11	31.96	27.20	24.07							
	464.59	31.64	28.03	23.84	21.15							
	546.58	36.11	31.96	27.20	24.07							
	591.84	32.04	28.36	24.12	21.37							
	658.82	36.11	31.96	27.20	24.07							
	741.30	32.04	28.36	24.12	21.37							
	884.18	28.02	24.80	21.09	18.69							
	1040.21	32.04	28.36	24.12	21.37							
1253.82	24.46	21.65	18.42	16.30								

I rapporti contrassegnati possono essere forniti solo in versione **M**; per ulteriori informazioni contattare il servizio tecnico COMER.  
 Ratios marked can only be supplied in version **M**; for more information please contact COMER technical service.



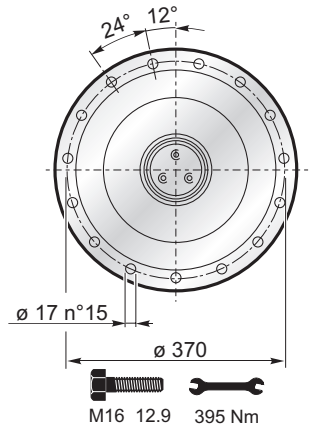
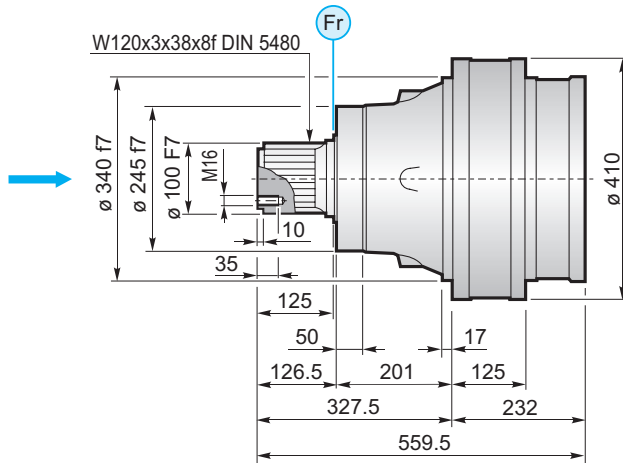
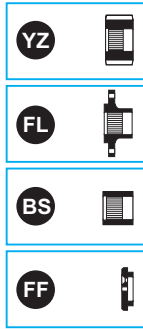
(n<sub>2</sub> x h = 20.000)  
 $M_{max} = M_c \times 1.65$



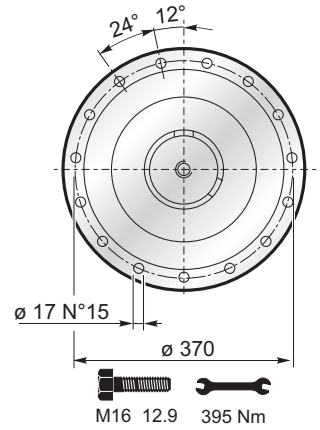
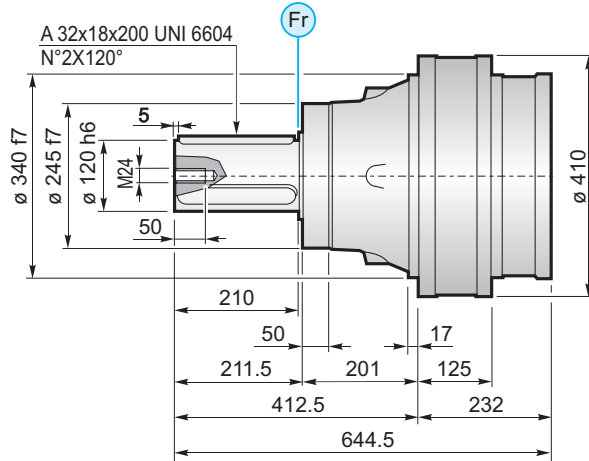
# 3500

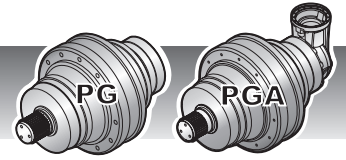
IT EN DE FR ES PT

## MS

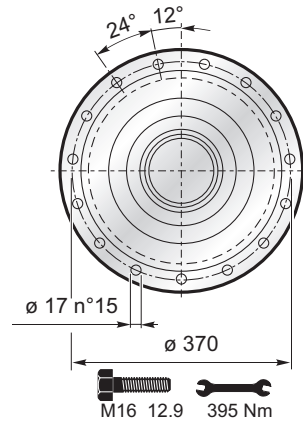
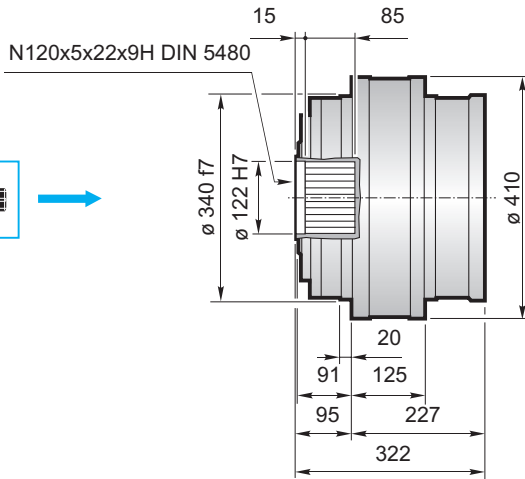


## MC

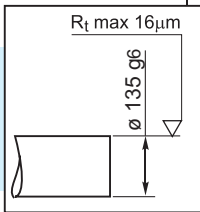
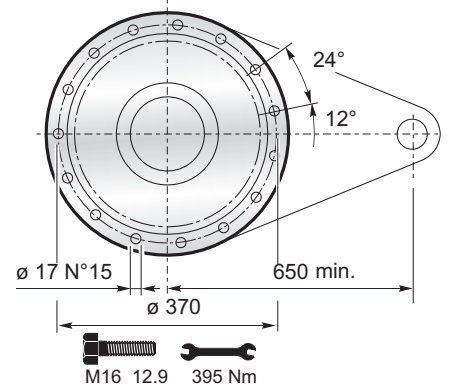
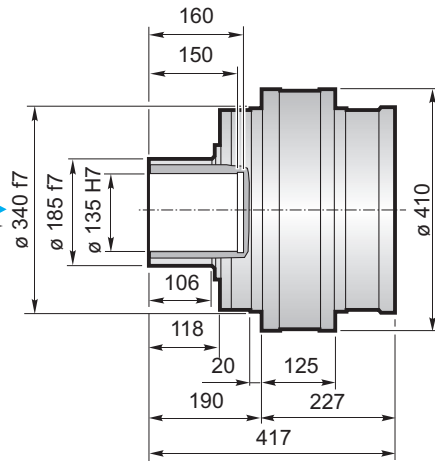
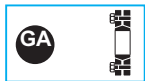




F



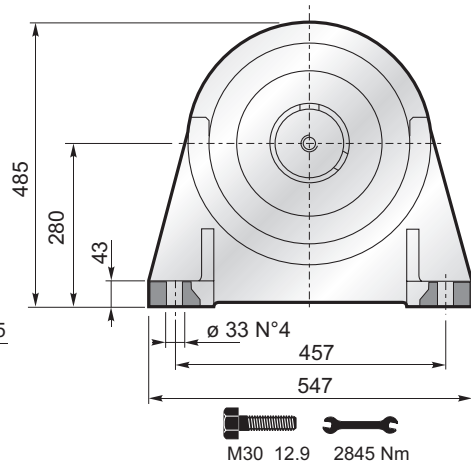
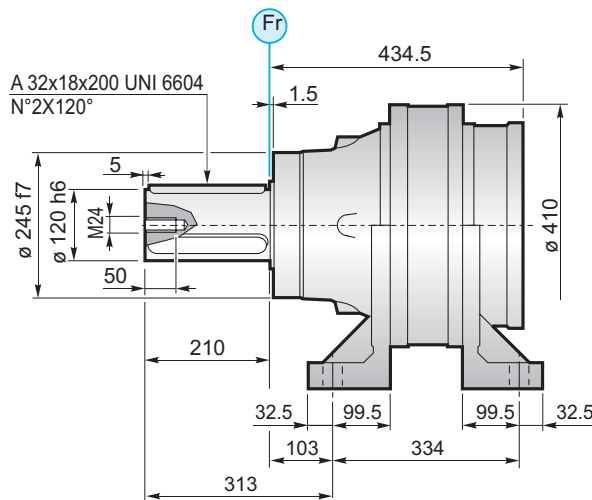
FS



$M_{max} = 52 \text{ kNm}$

La coppia massima indicata è valida solo con calettatori forniti da Planetary Drives  
 The maximum torque indicated is valid only with shrink discs supplied by Planetary Drives  
 Das dargestellte, maximale Drehmoment gilt nur mit von Planetary Drives gelieferter Schrumpfscheibe  
 Le couple maximal indiqué n'est valable qu'avec les frettes de serrage fournis par Planetary Drives  
 El momento máximo indicado sólo es válido con discos de contracción suministrados por Planetary Drives  
 O torque máximo indicado é válido exclusivamente com discos de contração fornecidos pela Planetary Drives

CPC

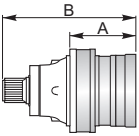


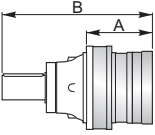
FL YZ BS FF KB GA → B-90

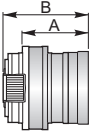


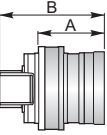


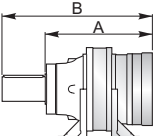
# 3500

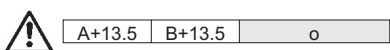
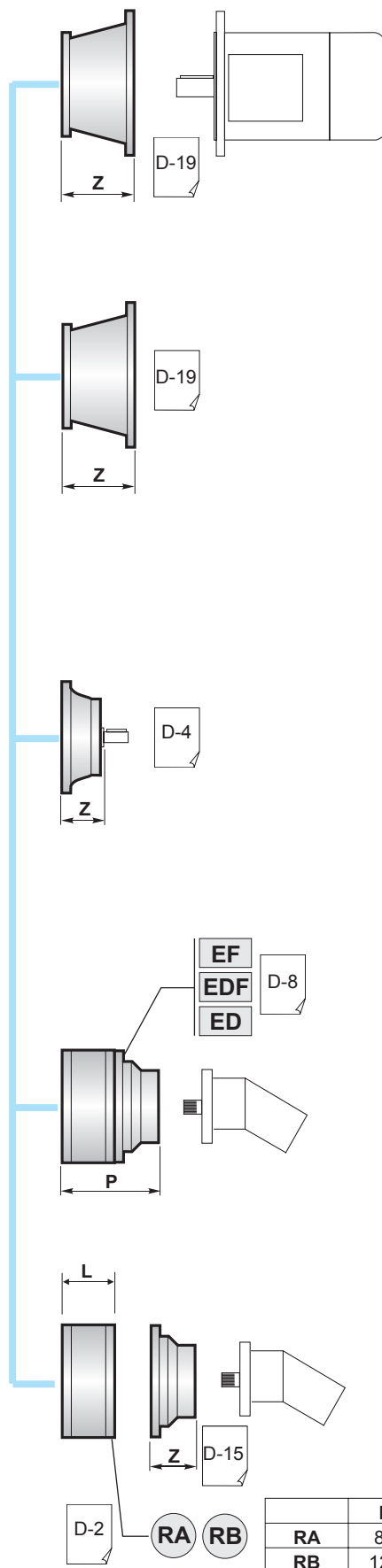
	PG ...MS					
	A	B	RA	RB	EF	EDF
PG 3501	232	559.5				
PG 3502	319	646.5		•		
PG 3503	390.5	718	•	o	•	
PG 3504	451.5	779	•			•

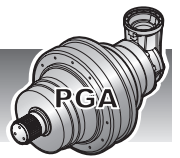
	PG ...MC					
	A	B	RA	RB	EF	EDF
PG 3501	232	644.5				
PG 3502	319	731.5		•		
PG 3503	390.5	803	•	o	•	
PG 3504	451.5	864	•			•

	PG ...F					
	A	B	RA	RB	EF	EDF
PG 3501	227	322				
PG 3502	314	409		•		
PG 3503	385.5	480.5	•	o	•	
PG 3504	446.5	541.5	•			•

	PG ...FS					
	A	B	RA	RB	EF	EDF
PG 3501	227	417				
PG 3502	314	504		•		
PG 3503	385.5	575.5	•	o	•	
PG 3504	446.5	636.5	•			•

	PG ...CPC					
	A	B	RA	RB	EF	EDF
PG 3501	434.5	644.5				
PG 3502	521.5	731.5		•		
PG 3503	593	803	•	o	•	
PG 3504	654	864	•			•





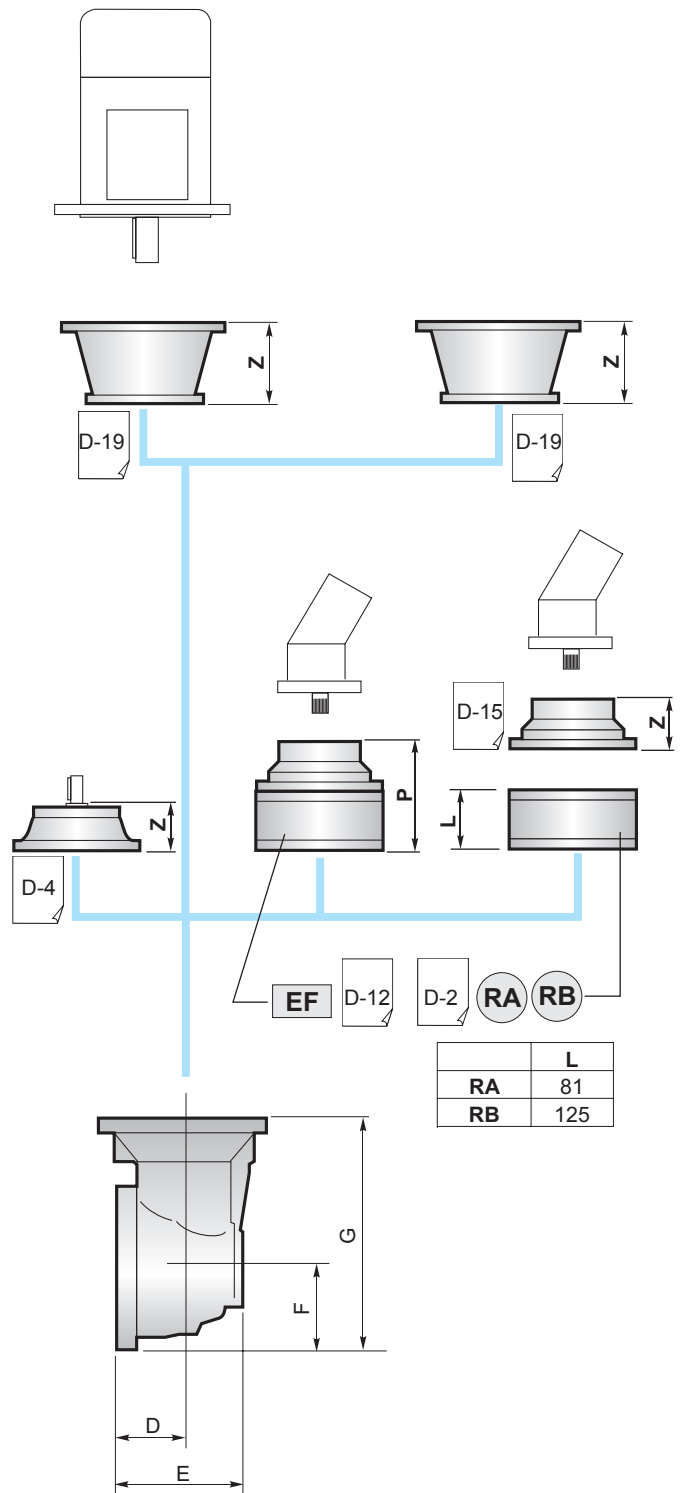
	PGA ...MS					
		A	B	RA	RB	EF
PGA 3502	297	315		•		
PGA 3503	454	240	•	o	•	
PGA 3504	492	240	•		•	

	PGA ...MC					
		A	B	RA	RB	EF
PGA 3502	297	315		•		
PGA 3503	454	240	•	o	•	
PGA 3504	492	240	•		•	

	PGA ...F					
		A	B	RA	RB	EF
PGA 3502	287	315		•		
PGA 3503	444	240	•	o	•	
PGA 3504	482	240	•		•	

	PGA ...FS					
		A	B	RA	RB	EF
PGA 3502	287	315		•		
PGA 3503	444	240	•	o	•	
PGA 3504	482	240	•		•	

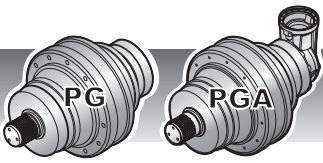
	PGA ...CPC					
		A	B	RA	RB	EF
PGA 3502	499.5	315		•		
PGA 3503	656.5	240	•	o	•	
PGA 3504	694.5	240	•		•	



	L
RA	81
RB	125

	D	E	F	G
PGA 3502	88	256	235	550
PGA 3503	88	256	235	550
PGA 3504	88	164	140	380

	A	B+16.5	o
--	---	--------	---

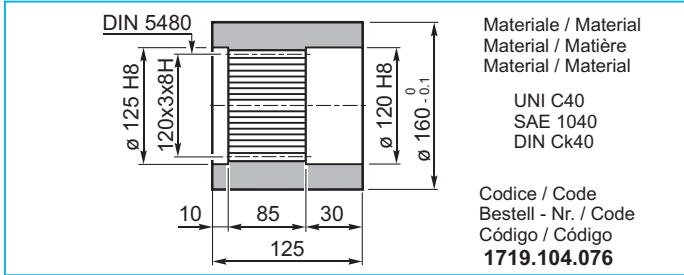


# 3500

IT EN DE FR ES PT

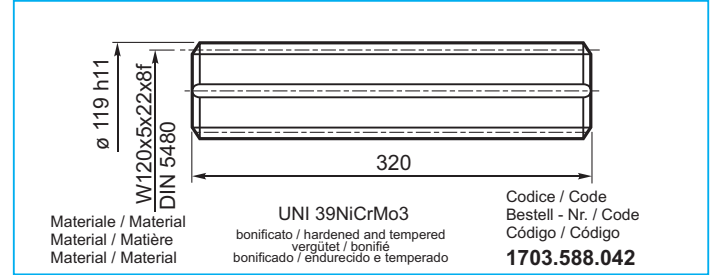
**BS**

Boccola scanalata / Splined bushing  
Innenverzähnte Buchse / Moyeu cannelé  
Casquillo ranurado / Bucha estriada



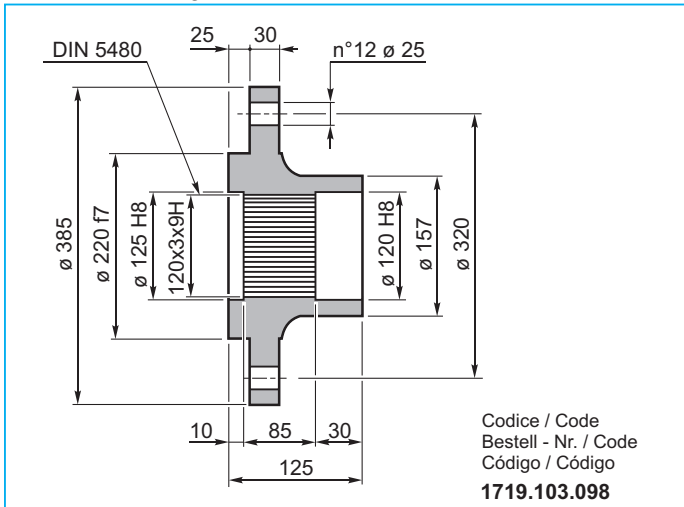
**KB**

Barra scanalata / Splined rod  
Außenverzähnte Welle / Arbre cannelé  
Barra ranurada / Barra estriada



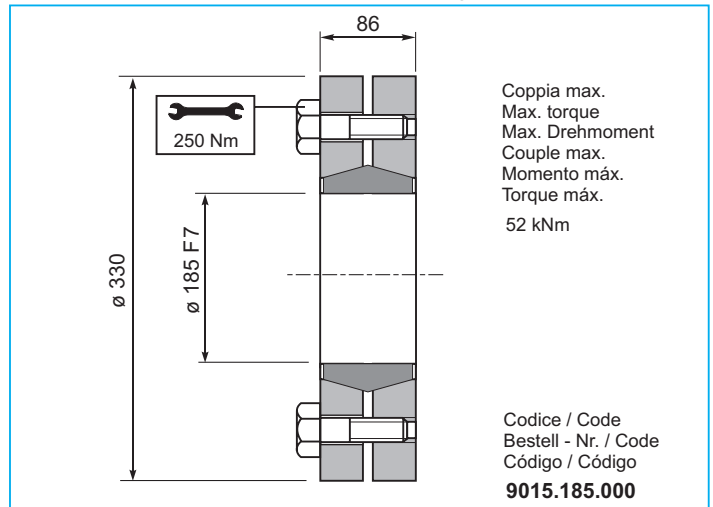
**FL**

Flangia / Flange  
Flansch / Bride  
Brida / Flange



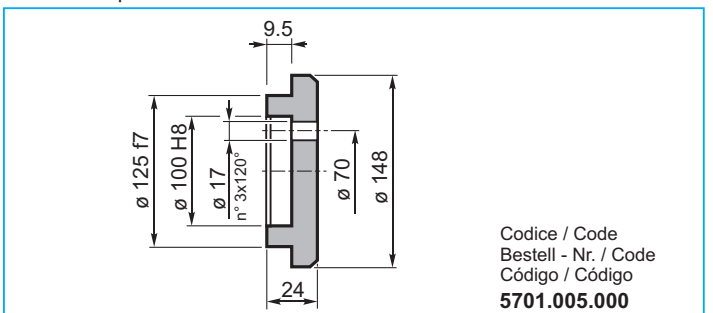
**GA**

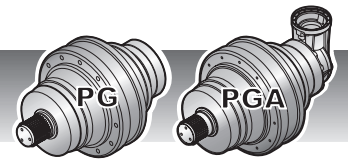
Giunto di attrito / Shrink disc  
Schrumpfscheibe / Frette de serrage  
Disco de contracción / Disco de contração



**FF**

Fondello di arresto / Stop bottom plate  
Endscheibe / Bouchon de fermeture  
Tapón de detención / Fundo de batente





### CARICHI RADIALI (Fr)

Nei diagrammi seguenti sono riportati i carichi radiali e i coefficienti K per rapportarli al valore  $n_2 \times h$  desiderato.

### RADIAL LOADS (Fr)

The following curves show the radial loads and the K factors to obtain the required  $n_2 \times h$  value.

### RADIALLAST (Fr)

In den nachstehenden Diagrammen ist die Radiallast und der Koeffizient K dargestellt und kann mit dem gewünschten Wert  $n_2 \times h$  verglichen werden.

### CHARGES RADIALES (Fr)

Dans les diagrammes suivants sont indiqués les charges radiales et les facteurs K de façon à obtenir la valeur  $n_2 \times h$  désirée.

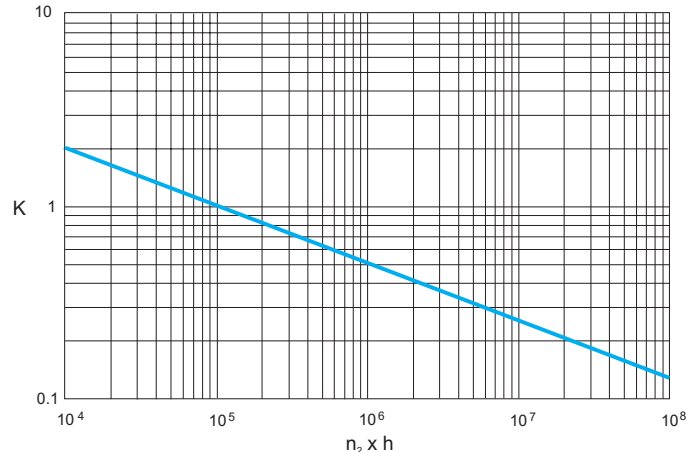
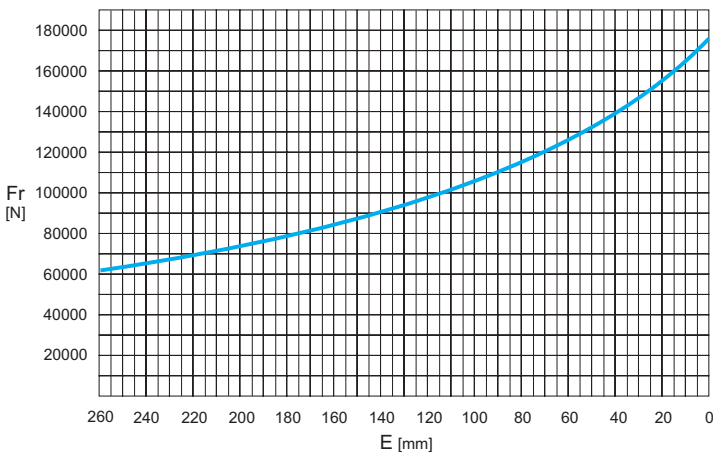
### CARGAS RADIALES (Fr)

En los siguientes diagramas se indican las cargas radiales y los coeficientes K para obtener el valor requerido  $n_2 \times h$ .

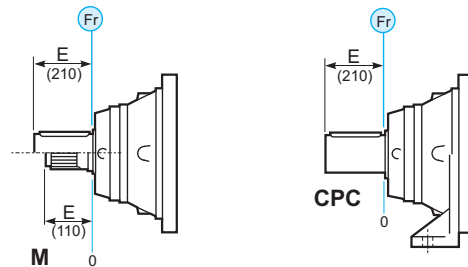
### CARGAS RADIAIS (Fr)

Nos diagramas seguintes são indicadas as cargas radiais e os coeficientes K para obter o valor  $n_2 \times h$  desejado.

## M - CPC\*



	$n_2 \times h$				
	$10^5$	$10^4$	$10^6$	$10^7$	$10^8$
<b>M</b>	Fr		Fr • K		
<b>*CPC</b>	Fr • 0.75		Fr • K • 0.75		



### CARICHI ASSIALI (Fa)

I valori dei carichi assiali indicati in tabella sono riferiti alle versioni e alla direzione di applicazione del carico.

### AXIAL LOADS (Fa)

The values of the axial loads in the table refer to the output versions and load direction of application.

### AXIALLAST (Fa)

Die dargestellten Werte der Axiallast basieren auf der Version und der applizierten Lastichtung.

### CHARGES AXIALES (Fa)

Les valeurs des charges axiales indiquées dans le tableau se réfèrent aux versions et à la direction d'application de la charge.

### CARGAS AXIALES (Fa)

Los valores de las cargas axiales indicados en la tabla se refieren a las versiones y a la dirección de aplicación de la carga.

### CARGAS AXIAIS (Fa)

Os valores das cargas axiais indicadas na tabela referem-se às versões e à direção de aplicação da carga.

Fa [N]	M	CPC	
		80000	80000
	100000	100000	→

